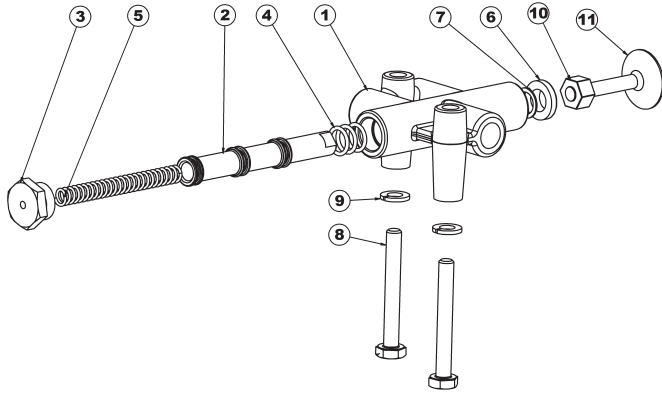


BAY5000AI Series Plunger End Air Interlock Valve

5000AI, 5000AIS & AIST



Tank Truck Service Warren, Michigan,
800-482-2678
www.tanktruckservice.com

Bill of Materials

Item #	Description	Part #	Qty
1	body	-	1
2	piston	use kit 5000AISK	1
3A	end plug	use kit 5000AISK	1
3B	electronic switch kit	5000S	1
4	Buna O-ring	use kit 5000AISK	3
5	spring	use kit 5000AISK	1
6	urethane wiper	use kit 5000AISK	1
7	retaining ring	RING-WH-50	1
8	mounting bolt	use kit 5000AISK	2
9	lock washer	use kit 5000AISK	2
10	plunger nut	NUT.25HX-SS	1
11A	paddle plunger	use kit 5000AIRK1	1
11B	paddle plunger stud	use kit 5000ST	1

Repair Kits

Part #	Description	Includes Item #s
5000AIHK	mounting bolt, lock washer	8, 9
5000AISK	piston, end plug, spring, O-ring, rod wiper	2, 3, 4, 5, 6
5000AIRK1	plunger end, nut	10, 11A
5000ST	replacement 1 1/2" plunger button & nut	10, 11B
5000S	electronic switch attachment kit	3B

BAY500AIR Series Piston End Air Interlock Valve

Bill of Materials

Item #	Description	Part #	Qty
1	body	-	1
2	piston	use kit 5000AISK	1
3	end plug	use kit 5000AISK	1
4	Buna O-ring	use kit 5000AISK	3
5	spring	use kit 5000AISK	1
6	urethane wiper	use kit 5000AISK	1
7	retaining ring	RING-WH-50	1
8	mounting bolts	use kit 5000AISK	2
9	lock washer	use kit 5000AISK	2
10	roller ball assembly	5000AIRRK1	1

Repair Kit

Part #	Description	Includes Item #s
5000AIHK	replacement mounting bolts and lock washers	8, 9
5000AISK	replacement piston & seal kit	2, 3, 4, 5, 6
5000AIRRK1	replacement roller ball	6, 7, 10

